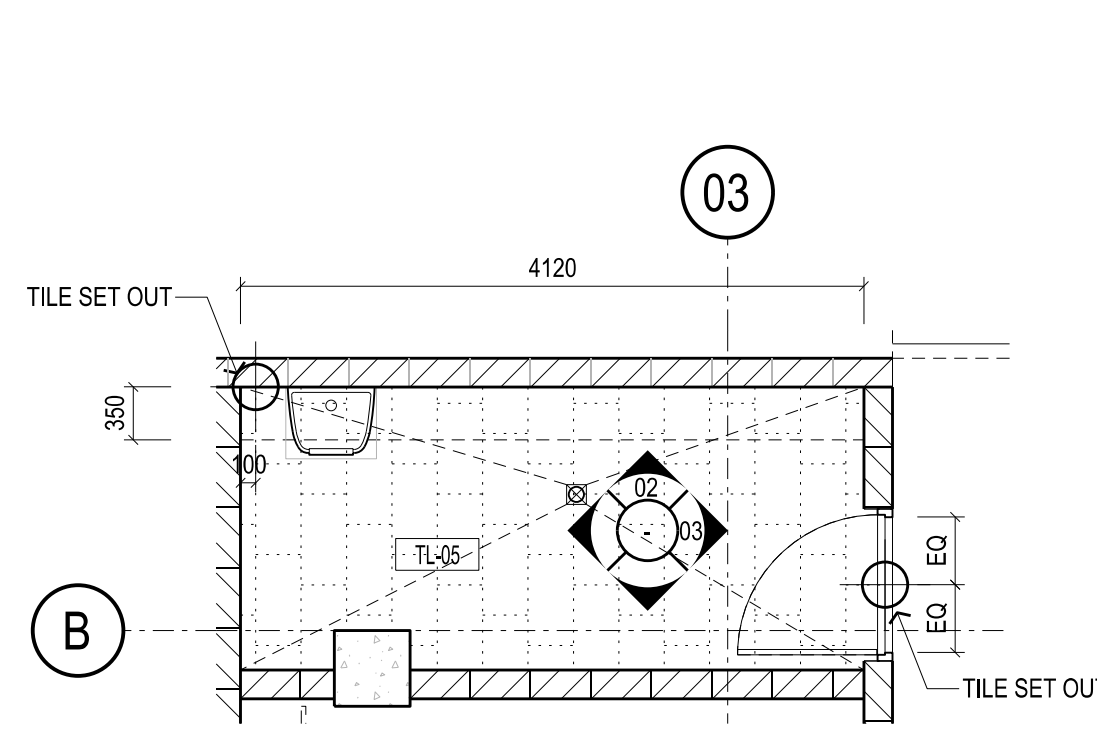


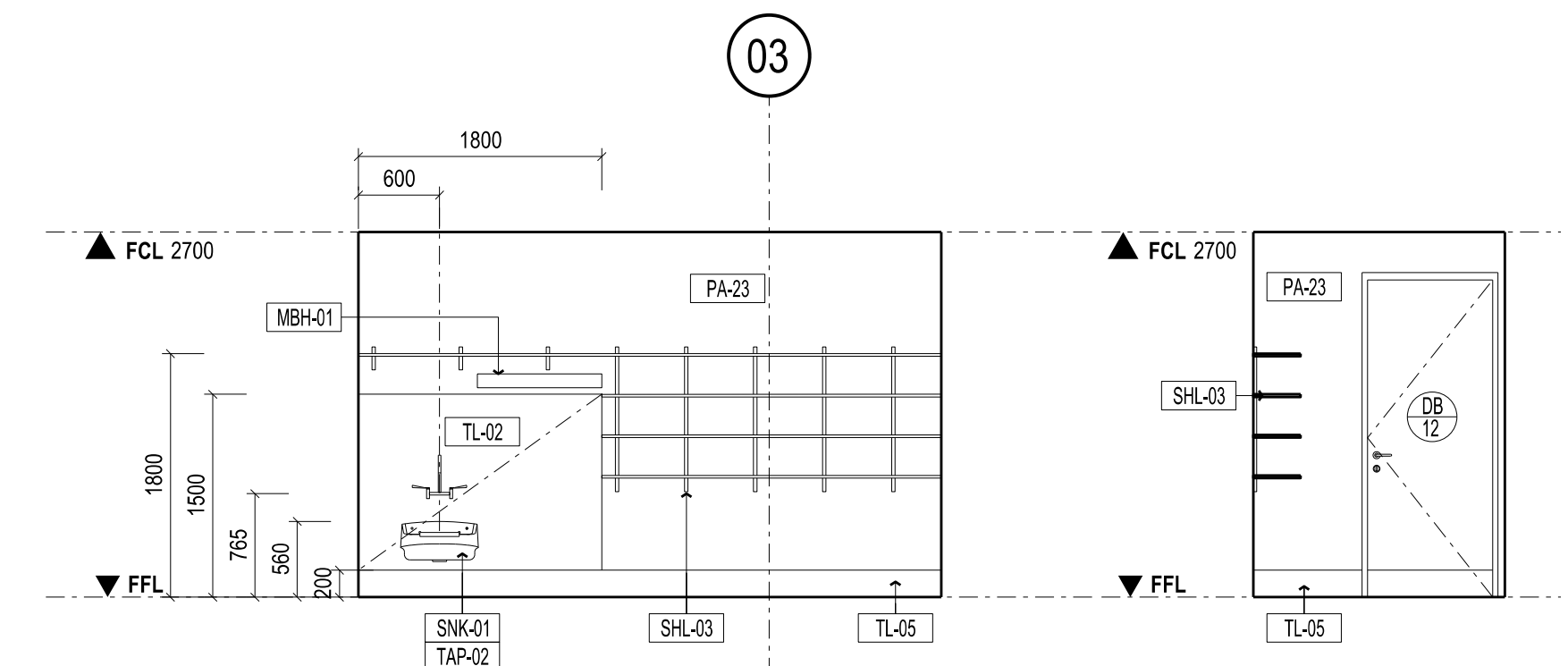
THIS DRAWING IS AN UNCONTROLLED COPY UNLESS STAMPED OTHERWISE

CONTRACTORS SHALL VERIFY JOB DIMENSIONS BEFORE ANY JOB COMMENCES. ALL SHOP DRAWINGS SHALL BE SUBMITTED TO THE SUPERINTENDENT AND MANUFACTURERS SHALL NOT COMMENCE FROM THE RETURN OF DRAWINGS SHOWN BY THE CONSULTANT. FIGURED DIMENSIONS SHALL TAKE PRECEDENCE OVER SCALES. THIS DRAWING SHALL BE READ IN CONJUNCTION WITH ALL RELEVANT CONTRACT SPECIFICATIONS AND DRAWINGS COPYRIGHT OF THIS DRAWING IS VESTED IN WARDLE.

General Notes

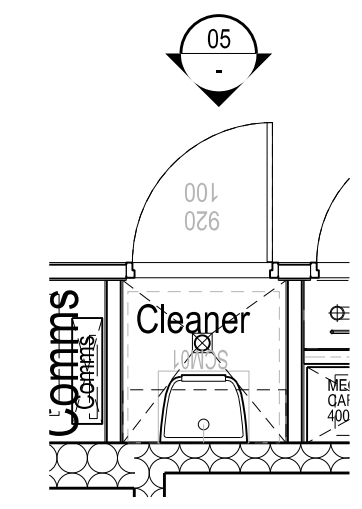


01 PLAN - B103 - CLEANERS STORE  
SCALE 1:50

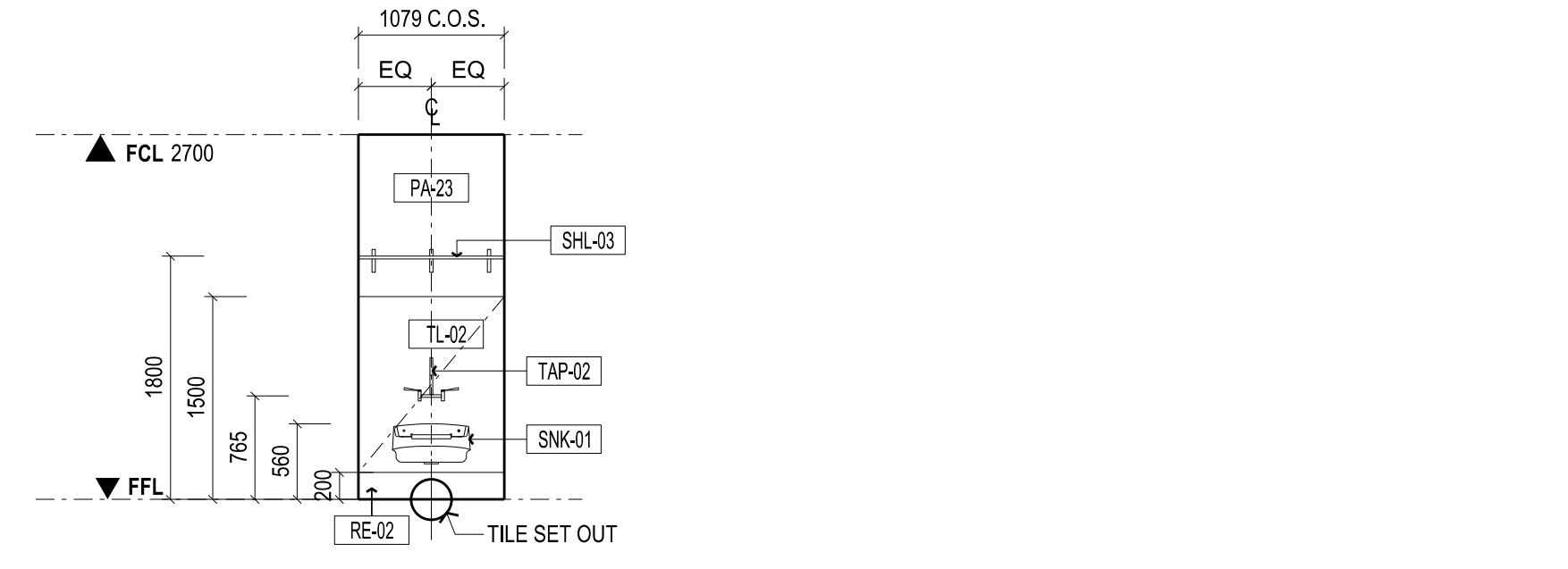


02 ELEVATION  
SCALE 1:50

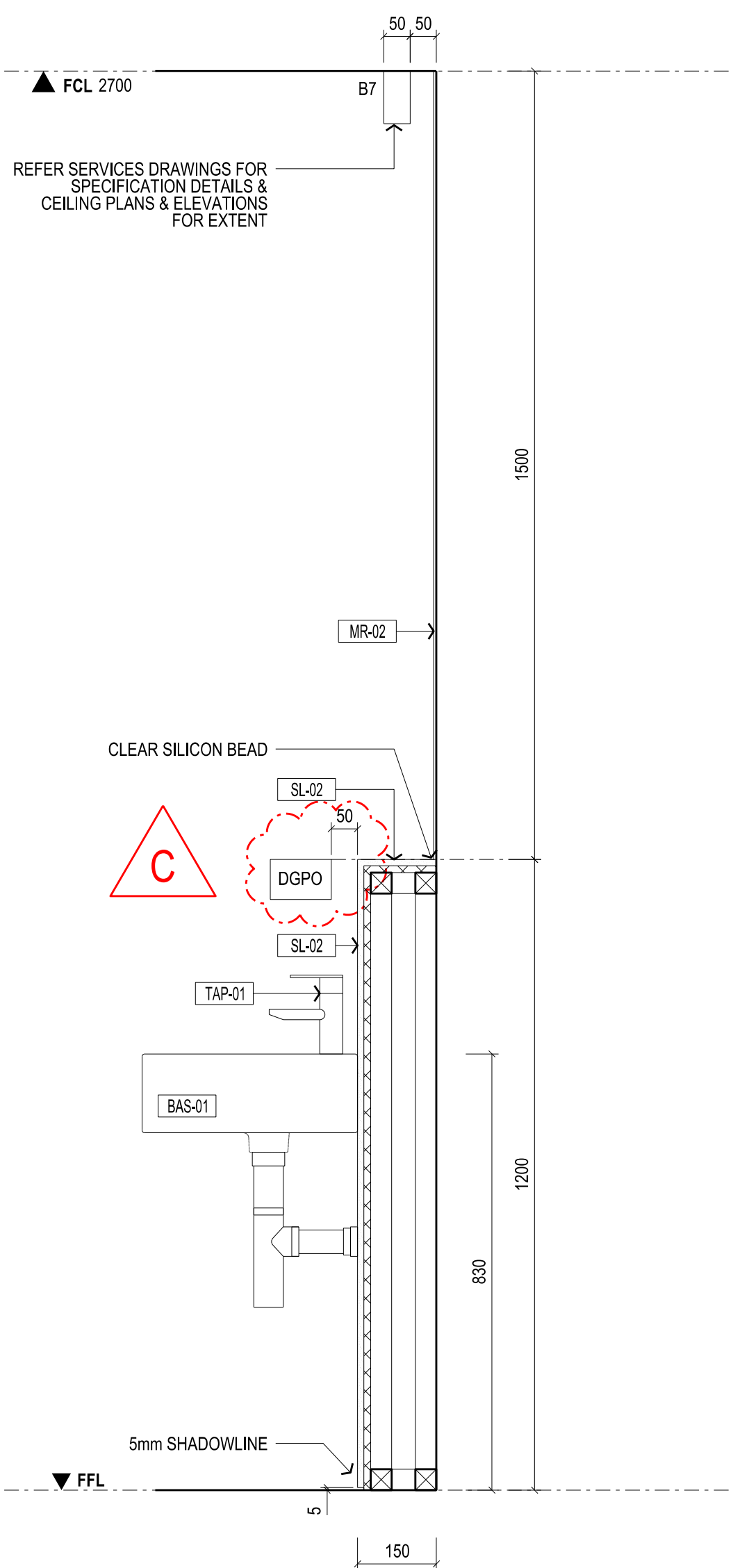
03 ELEVATION  
SCALE 1:50



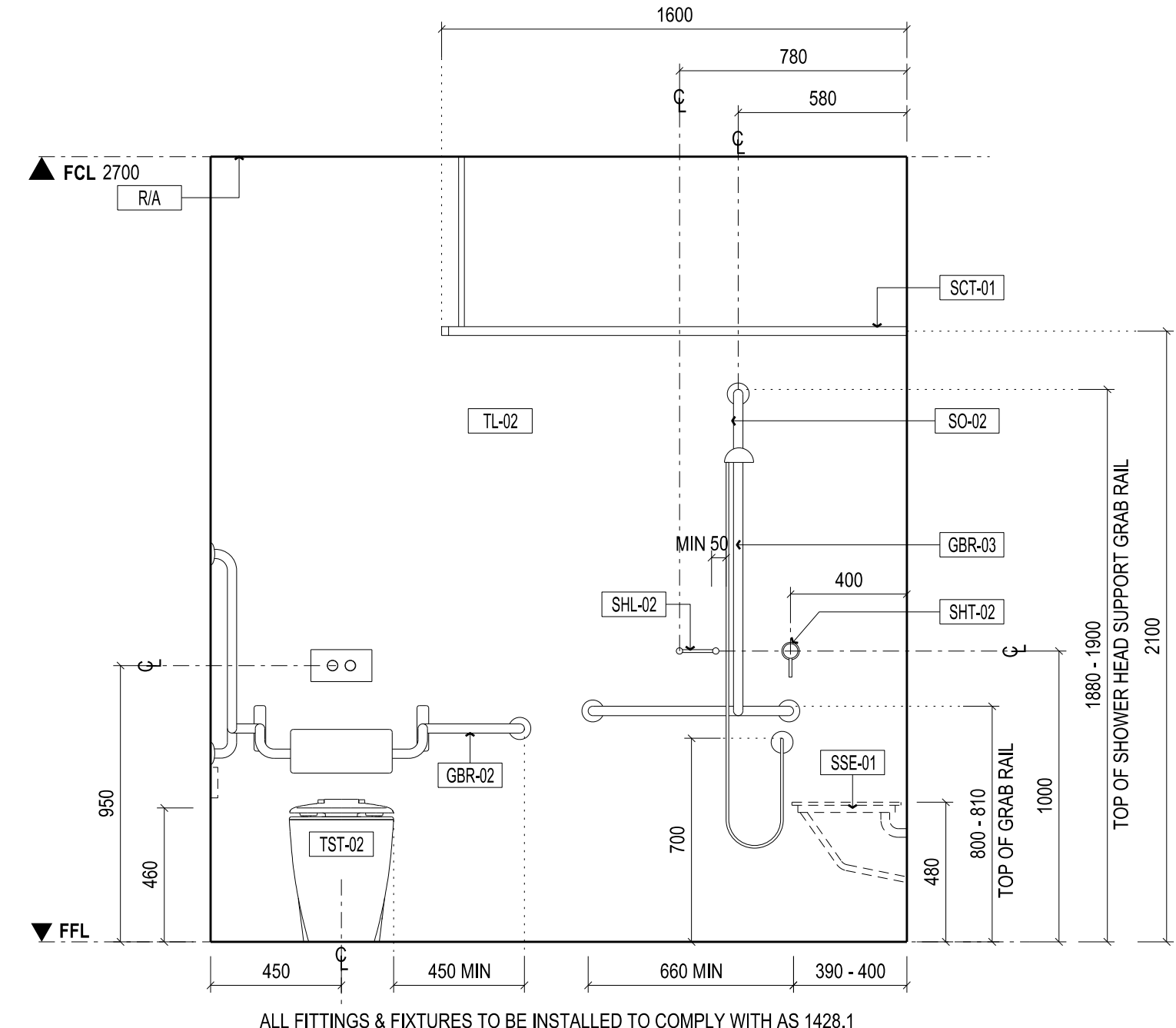
04 PLAN - TYPICAL CLEANERS CUPBOARD  
SCALE 1:50



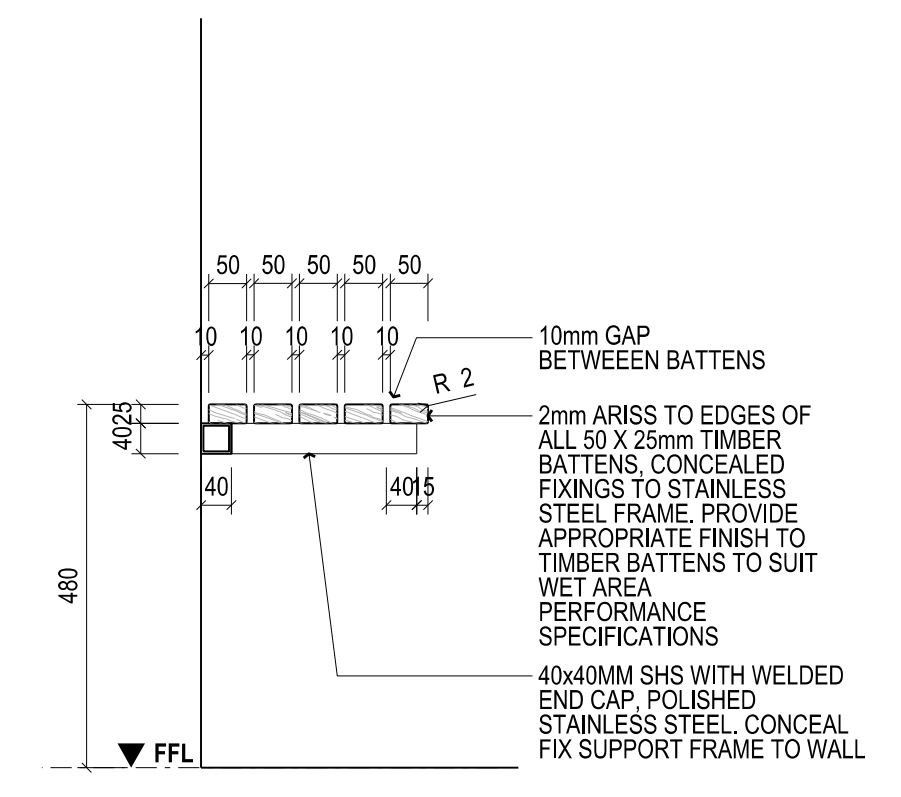
05 ELEVATION  
SCALE 1:50



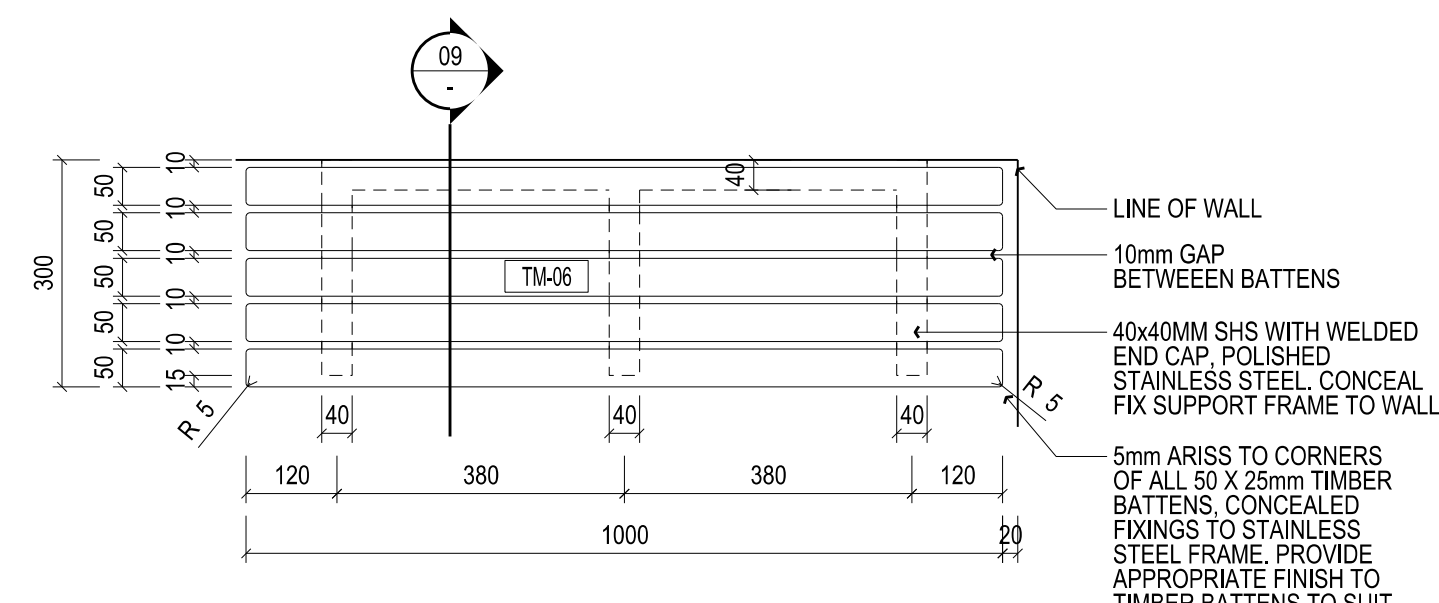
06 VANITY HOB  
TYPICAL SECTION  
SCALE 1:10



07 ELEVATION - TYPICAL ACCESSIBLE SHOWER  
SCALE 1:20



08 SECTION - CHANGEROOM SHOWER SEAT  
SCALE 1:20



09 PLAN - CHANGEROOM SHOWER SEAT  
SCALE 1:20

TYPICAL FINISHES AS INDICATED, UNLESS OTHERWISE NOTED ON JOINERY ELEVATIONS

Rev	Issue	Revision Description	And	Date
C	SG	UPDATES AS NOTED	-	25.11.13
B	SG	UPDATES AS NOTED	-	18.11.13
A	SG	ISSUE FOR CONSTRUCTION	-	01.08.13
04	SG	VALUE MANAGEMENT ISSUE	-	28.03.13
03	SG	100% CD - TENDER ISSUE	-	07.09.12
02	SG	90% CD ISSUE	-	10.08.12
01	SG	75% CD ISSUE	-	13.07.12



**NADAAA**  
 NADAAA  
 1520 Washington Street No.2 Boston Massachusetts 02118 USA  
 Telephone +1 617 442 8232 Facsimile +1 888 442 1417 Email nad@nadaaa.com

**John Wardle Architects**  
 25 Rokeby Street, Collingwood, Victoria 3066 Australia  
 Tel: +61 3 8662 0400 www.johnwardlearchitects.com  
 © 2012 John Wardle Architects ABN 83 006 814 268

Client **University of Melbourne Parkville Campus**  
 Project **Faculty of Architecture Building and Planning**  
 Title **TOILETS & WET AREAS, KITCHEN DETAILS - SHEET 03**

Project No.	<b>0913</b>	Scale	1:50 @ A0 1:100 @ A2
Drawing No.	<b>AR5302</b>	Revision	<b>C</b>

Date: Dec 2011 Drawn: Co-Ord: Check:

FILENAME - \$FILES  
**FOR CONSTRUCTION**